

KITCHEN CABINET SPECIFICATIONS

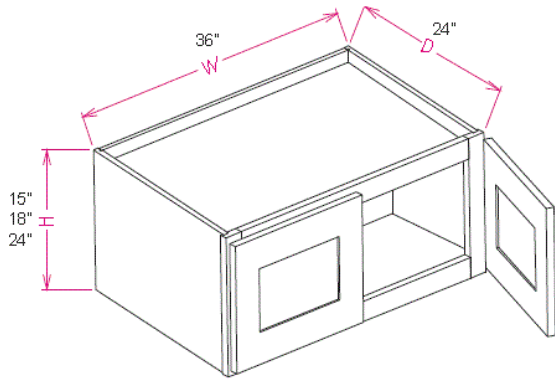
FOR THESE STYLES

[Heirloom White](#) | [White Shaker](#) | [White Shaker Budget](#) | [Feather Gray](#) | [Chestnut Shaker](#)
[Tuscan Cocoa](#) | [Smokey Shaker](#) | [Shaker Spice](#) | [Antique Shaker](#)

Wall Cabinets

NOTE: Not all items are available for all line

LINE DRAWINGS (presented in architectural orthogonal view)	CODE	DESCRIPTION
Wall - Single Door		12" Depth
	W0930 W1230 W1530 W1830 W2130 W0936 W1236 W1536 W1836 W2136 W0942 W1242 W1542 W1842 W2142	Wall - 09"W x 12"D x 30"H - 1 Door Wall - 12"W x 12"D x 30"H - 1 Door Wall - 15"W x 12"D x 30"H - 1 Door Wall - 18"W x 12"D x 30"H - 1 Door Wall - 21"W x 12"D x 30"H - 1 Door Wall - 09"W x 12"D x 36"H - 1 Door Wall - 12"W x 12"D x 36"H - 1 Door Wall - 15"W x 12"D x 36"H - 1 Door Wall - 18"W x 12"D x 36"H - 1 Door Wall - 21"W x 12"D x 36"H - 1 Door Wall - 09"W x 12"D x 42"H - 1 Door Wall - 12"W x 12"D x 42"H - 1 Door Wall - 15"W x 12"D x 42"H - 1 Door Wall - 18"W x 12"D x 42"H - 1 Door Wall - 21"W x 12"D x 42"H - 1 Door *30" & 36" Tall Cabinets have 2 shelves *42" Tall Cabinets have 3 shelves
Wall - Double Door		12" Depth
<p style="text-align: center;">*30" & 36" Tall Cabinets have 2 shelves *42" Tall Cabinets have 3 shelves</p>	W2430 W2730 W3030 W3330 W3630 W2436 W2736 W3036 W3336 W3636 W2442 W2742 W3042 W3342 W3642 *** W3012 W3612 W3015 W3615 W3018 W3618 W3024 W3624	Wall - 24"W x 12"D x 30"H - 2 Door Wall - 27"W x 12"D x 30"H - 2 Door Wall - 30"W x 12"D x 30"H - 2 Door Wall - 33"W x 12"D x 30"H - 2 Door Wall - 36"W x 12"D x 30"H - 2 Door Wall - 24"W x 12"D x 36"H - 2 Door Wall - 27"W x 12"D x 36"H - 2 Door Wall - 30"W x 12"D x 36"H - 2 Door Wall - 33"W x 12"D x 36"H - 2 Door Wall - 36"W x 12"D x 36"H - 2 Door Wall - 24"W x 12"D x 42"H - 2 Door Wall - 27"W x 12"D x 42"H - 2 Door Wall - 30"W x 12"D x 42"H - 2 Door Wall - 33"W x 12"D x 42"H - 2 Door Wall - 36"W x 12"D x 42"H - 2 Door *30" & 36" Tall Cabinets have 2 shelves *42" Tall Cabinets have 3 shelves Wall - 30"W x 12"D x 12"H - 2 Door Wall - 36"W x 12"D x 12"H - 2 Door Wall - 30"W x 12"D x 15"H - 2 Door Wall - 36"W x 12"D x 15"H - 2 Door Wall - 30"W x 12"D x 18"H - 2 Door Wall - 36"W x 12"D x 18"H - 2 Door Wall - 30"W x 12"D x 24"H - 2 Door Wall - 36"W x 12"D x 24"H - 2 Door *24" Tall Cabinet has 1 shelf
Refrigerator Wall Cabinets		24" Depth



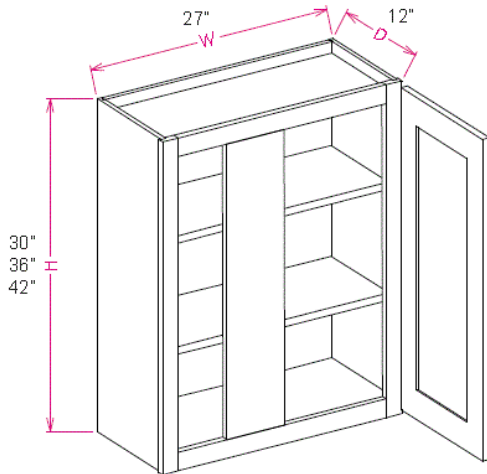
W361524
W361824
W362424

Wall - 36"W x 15"H x 24"D - 2 Door
Wall - 36"W x 18"H x 24"D - 2 Door
Wall - 36"W x 24"H x 24"D - 2 Door

***24" Tall Cabinet has 1 shelf**

Wall Corner Cabinet

Blind Corner



WBC2730
WBC2736
WBC2742

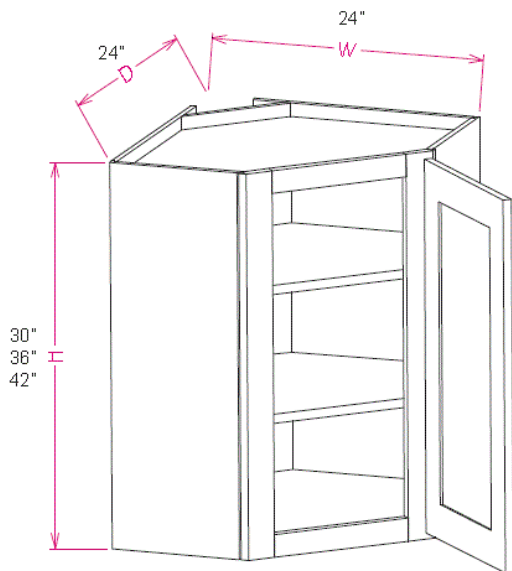
CABINET BOX			CABINET DC		
W	H	D	W	H	D
27	30	12	14 1/2	29	
27	36	12	14 1/2	35	
27	42	12	14 1/2	41	

***30" & 36" Tall Cabinets have 2 shelves**
***42" Tall Cabinets have 3 shelves**

Minimum & Maximum Pull 30"

Wall Corner Cabinet

Diagonal Corner



DCW2430
DCW2436
DCW2442

CABINET BOX			CABINET DC		
W	H	D	W	H	D
24	30	24	15 1/4	29	3
24	36	24	15 1/4	35	3
24	42	24	15 1/4	41	3

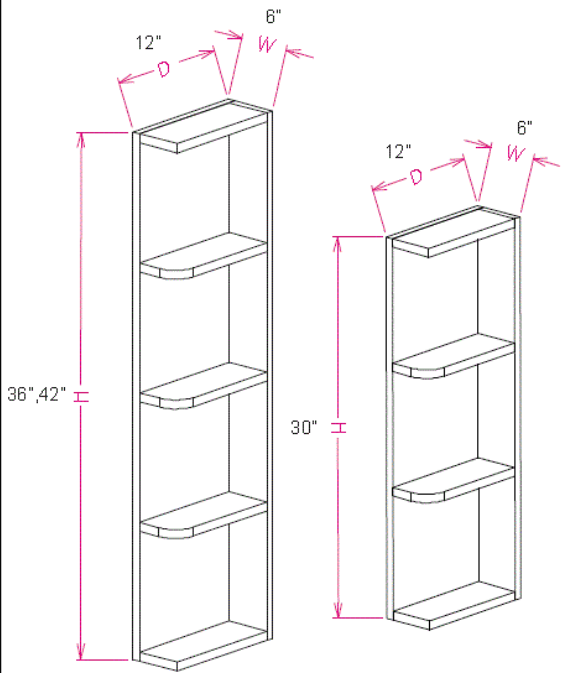
***30" & 36" Tall Cabinets have 2 shelves**
***42" Tall Cabinets have 3 shelves**

Wall End Shelves

12" Depth

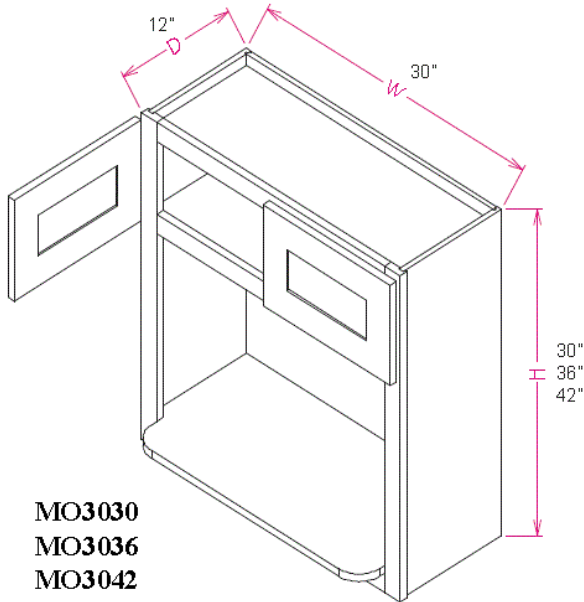
OE630
OE636
OE642

12"D x 6"W x 30"H - 3 Shelves
12"D x 6"W x 36"H - 4 Shelves
12"D x 6"W x 42"H - 4 Shelves



Microwave Cabinet

Wall Microwave Cabinet



MO3030
MO3036
MO3042

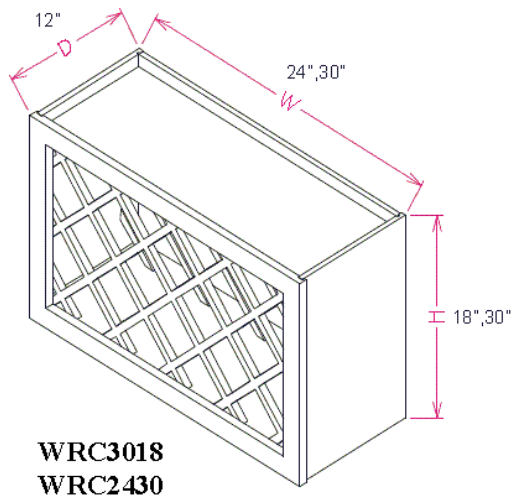
MO3030
MO3036
MO3042

CABINET BOX			CABINET DOOR		
W	H	D	W	H	D
30	30	12	14 5/7	9 1/4	3/4
30	36	12	14 5/7	15 1/4	3/4
30	42	12	14 5/7	21 1/4	3/4

**Designed for "counter" style microwaves
*No Shelves
*Bottom shelf is 15" deep
*Opening for microwave is
26-7/16"Wx17-1/4"H*

Specialty Cabinet

Wine/Glass/Spice

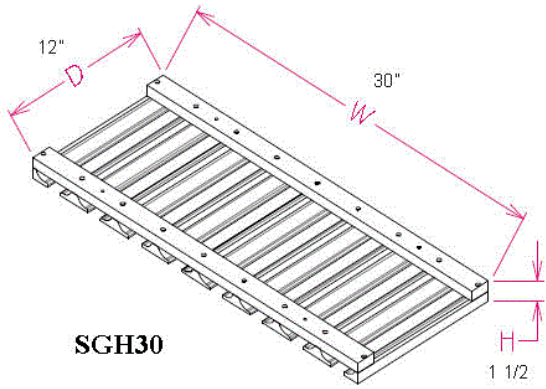


WRC3018
WRC2430

WRC3018
WRC2430

Wine Rack 30"W x 12"D x 18"H
Wine Rack 24"W x 12"D x 30"H

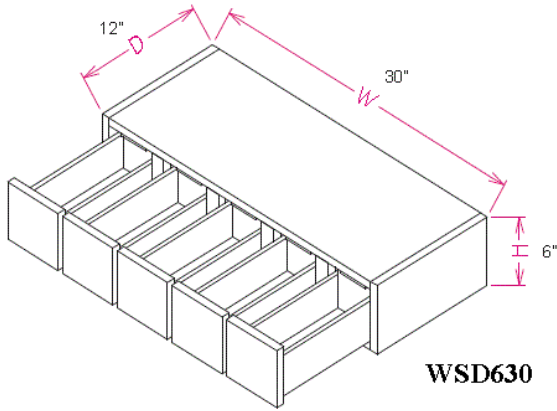
**May be installed horizontally or vertical*



SGH30

Glass Holder 30"W x 12"D

***Solid Wood**
***Mounts to bottom of wall cabinet**



WSD630

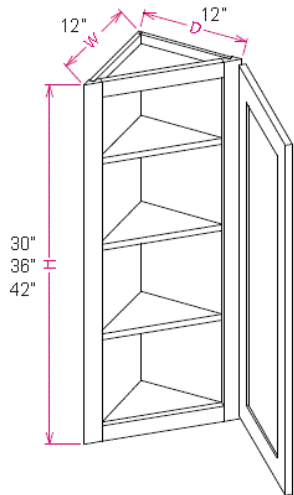
WSD630

CABINET BOX			DRAWERS		
W	H	D	W	H	D
30	6	12	5 1/2	5	12

***This cabinet does not come with any drawer**
***Can be installed as base cabinet, vertically between 2**
Drawer stop will need to be repositioned

End Wall Cabinet

Angle Wall



AW1230
 AW1236
 AW1242

CABINET BOX			CABINET DOOR		
W	H	D	W	H	D
17	30	12	16 1/8	29	3/4
17	36	12	16 1/8	35	3/4
17	42	12	16 1/8	41	3/4

***30" & 36" Tall Cabinets have 2 shelves**
***42" Tall Cabinets have 3 shelves**

***Soft Close Hinges not available for this cal**

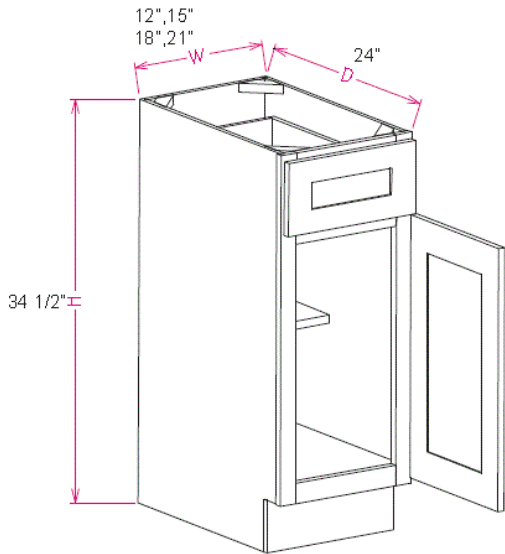
Base Cabinets

Single Door Base

Regular Base

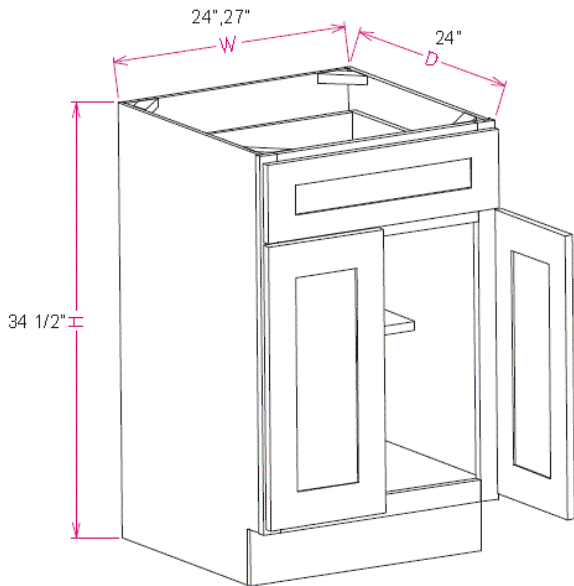
B12
 B15
 B18
 B21

CABINET BOX			CABINET D	
W	H	D	W	H
12	34 1/2	24	11 1/2	22 1/2
15	34 1/2	24	14 1/2	22 1/2
18	34 1/2	24	17 1/2	22 1/2
21	34 1/2	24	20 1/2	22 1/2



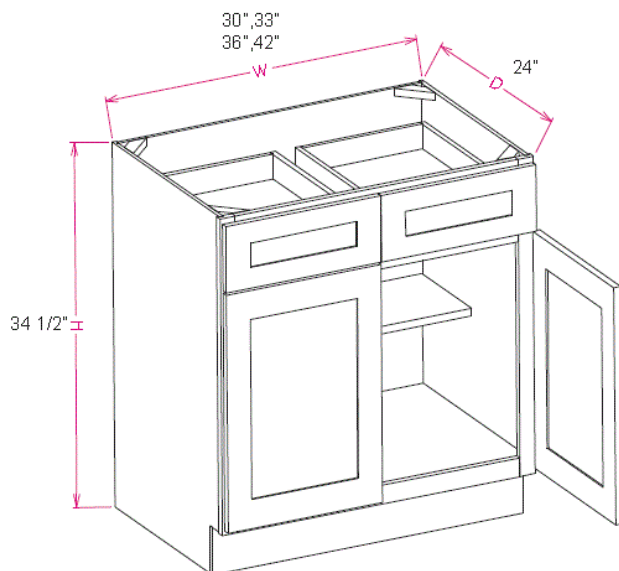
Double Door Base

DRAWER HEAD TOP DRAWER			DRAWER BOX TC	
W	H	D	W	H
11 1/2	6 1/4	3/4	8	3 1/2
14 1/2	6 1/4	3/4	11	3 1/2
17 1/2	6 1/4	3/4	14	3 1/2
20 1/2	6 1/4	3/4	17	3 1/2



B24
B27

CABINET BOX			CABINET DOOR	
W	H	D	W	H
24	34 1/2	24	11 3/4	22 1/2
27	34 1/2	24	13 1/4	22 1/2

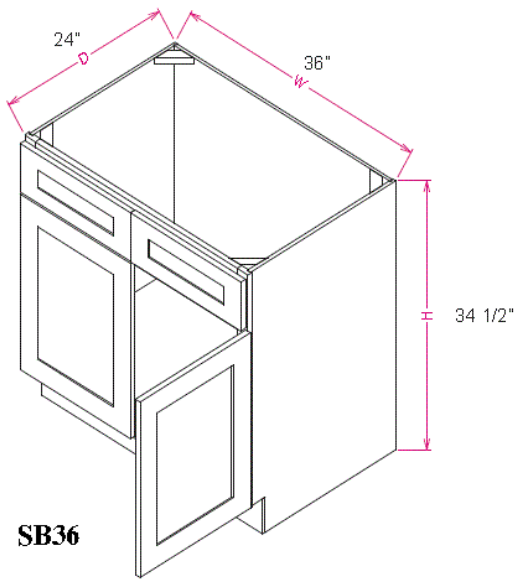


B30
B33
B36
B42

CABINET BOX			CABINET DOOR	
W	H	D	W	H
30	34 1/2	24	14 3/4	22 1/2
33	34 1/2	24	16 1/4	22 1/2
36	34 1/2	24	17 3/4	22 1/2
42	34 1/2	24	20 3/4	22 1/2

DRAWER HEADS TOP DRAWERS				DRAWER BOXES T	
W	H	D	QTY	W	H
14 3/4	6 1/4	3/4	2	12	3 1/2
16 1/4	6 1/4	3/4	2	13 1/2	3 1/2
17 3/4	6 1/4	3/4	2	15	3 1/2
20 3/4	6 1/4	3/4	2	18	3 1/2

Sink Base Cabinet



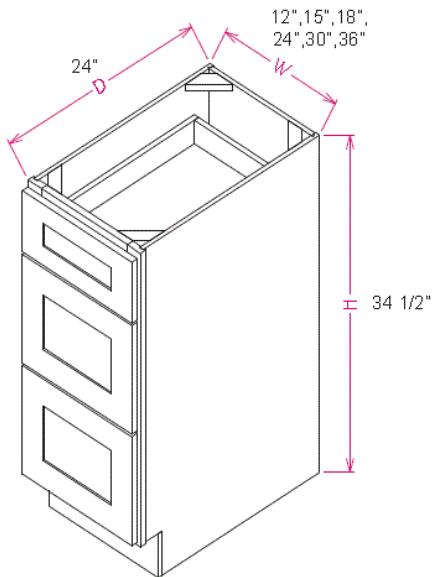
SB36

CABINET BOX			CABINET DOORS			DRA	
W	H	D	W	H	D	QTY.	W
36	34 1/2	24	17 5/7	22 1/2	3/4	2	17 5/7

**No drawers or shelves*

Drawer Packs

Bank of 3 Drawers



3DB12

3DB15

3DB18

3DB24

3DB30

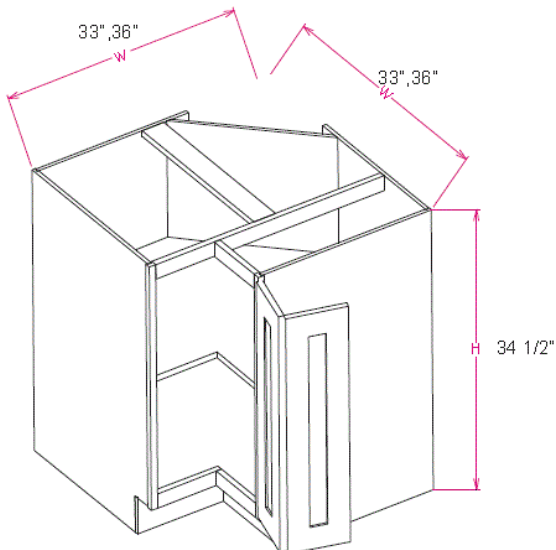
3DB36

CABINET BOX			DRAWER HEAD TOP DRAWER				DRAWER BC	
W	H	D	W	H	D	QTY.	W	H
12	34 1/2	24	11 1/2	6 1/4	3/4	1	8	3
15	34 1/2	24	14 1/2	6 1/4	3/4	1	11	3
18	34 1/2	24	17 1/2	6 1/4	3/4	1	14	3
24	34 1/2	24	23 1/2	6 1/4	3/4	1	20	3
30	34 1/2	24	29 1/2	6 1/4	3/4	1	26	3
36	34 1/2	24	35 1/2	6 1/4	3/4	1	32	3

DRAWER HEADS BOTTOM DRAWERS				DRAWER BOXES BOI	
W	H	D	QTY.	W	H
11 1/2	11 1/8	3/4	2	8	8 1/4
14 1/2	11 1/8	3/4	2	11	8 1/4
17 1/2	11 1/8	3/4	2	14	8 1/4
23 1/2	11 1/8	3/4	2	20	8 1/4
29 1/2	11 1/8	3/4	2	26	8 1/4
35 1/2	11 1/8	3/4	2	32	8 1/4

Corner Base Cabinets

Lazy Susan / Easy Reach



LSB33

LSB36

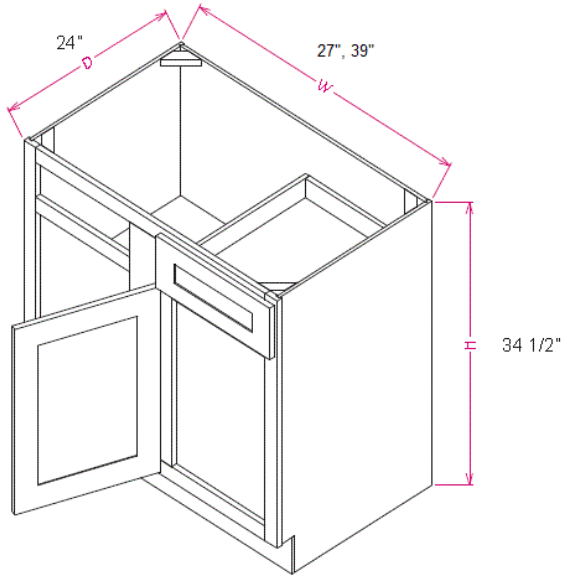
SKU	CABINET BOX			CABINET DO		
	W	H	D	W	H	D
LSB33	33	34 1/2	33	7 5/8	29	3
LSB36	36	34 1/2	36	10 5/8	29	3

**2 Height adjustable wire baskets*

**Baskets and shelf may be removed to make an eas*

Corner Base Cabinets

Blind Corner Base



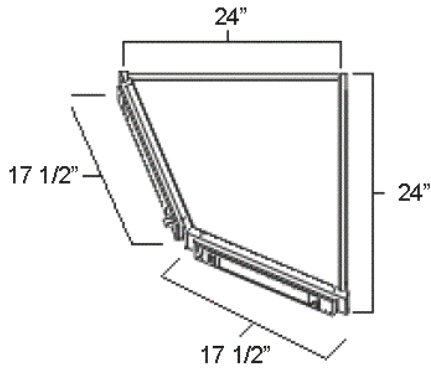
BBC36
BBC42

Model	Description	Width	Height
BBC36	Cabinet Dimension	27	34 1/2
	Door Dimension	9 3/4	22 1/2
	Drawer Front	9 3/4	6 1/4
	Drawer Box	8	3 3/8
	Door Opening	8 1/2	20 3/8
BBC42	Cabinet Dimension	39	34 1/2
	Door Dimension	17 1/2	22 1/2
	Drawer Front	17 1/2	6 1/4
	Drawer Box	14	3 3/8
	Door Opening	14 1/2	20 3/8

Model	Box Size	Min	Max
BBC36	27	34 1/2	39 1/2
BBC42	39	44 1/2	46 1/2

Angle Base Cabinets

Angle Base

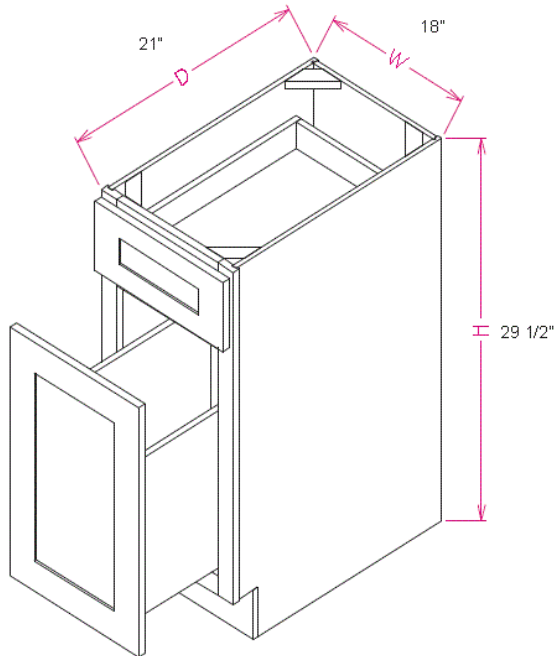


BEC24

24"D x 34-1/2"H
*One adjustable shelf
*Door dimensions - 17-1/2"W x 29"H

File Drawer Base

File Base



DFB18

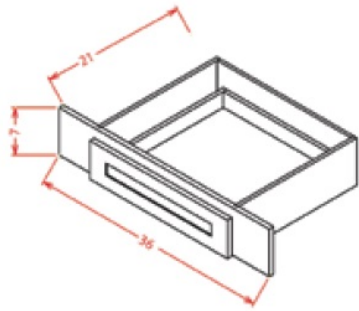
CABINET BOX			DRAWER HEAD(S) TOP DRAWER(S)				DRAWER BO
W	H	D	W	H	D	QTY.	W
18	29 1/2	21	17 1/2	6 1/4	3/4	1	14

DRAWER HEAD(S) BOTTOM DRAWER(S)				DRAWER BOX(ES) BOTI	
W	H	D	QTY.	W	H
17 1/2	17 1/2	3/4	1	14	14 1/4

Single Desk Drawer

Single Drawer

VKD36

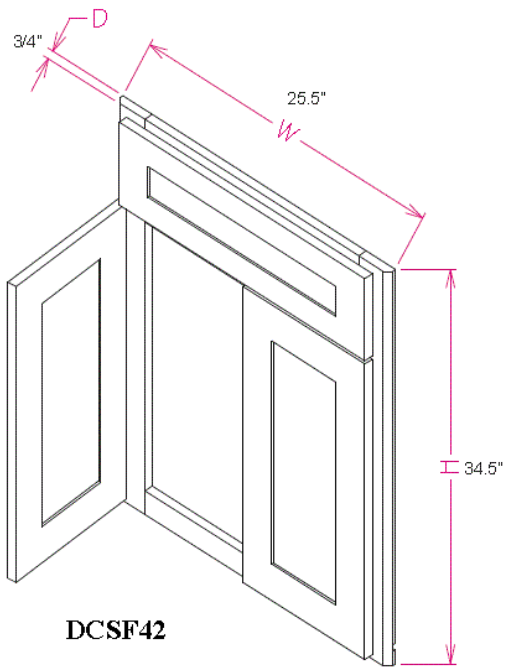


7"H x 21"D x 36"W

(Can be trimmed down to fit 27" wide open)

Sink Front

Diagonal Corner Sink Front

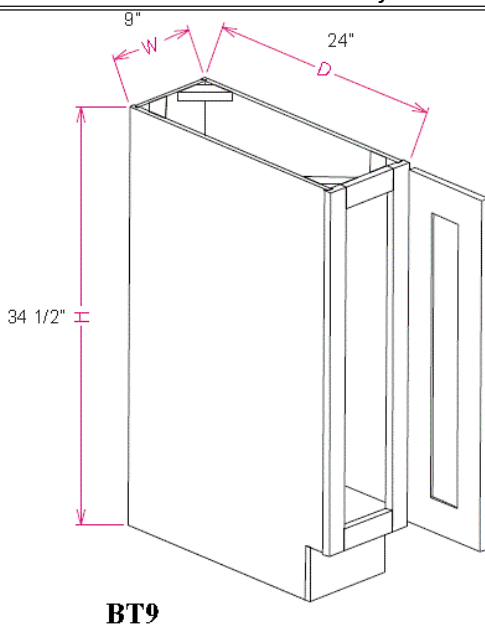


DCSF42

CABINET BOX			CABINET DOORS				DRAW
W	H	D	W	H	D	QTY	W
25 1/2	34 1/2	3/4	11 4/5	22 1/2	3/4	2	23 2/3 6

Tray Base

Cookie Sheet Base



BT9

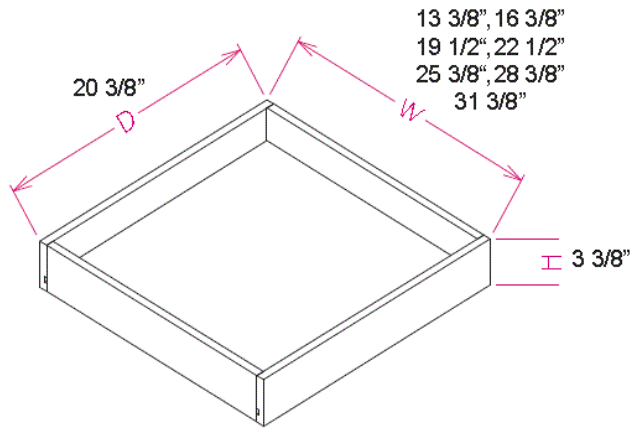
CABINET BOX			CABINET DOOR		
W	H	D	W	H	D
9	34 1/2	24	29	8 1/2	3/4

*No shelf

Roll Out Trays

Roll Outs

- RS15
- RS18
- RS21
- RS24



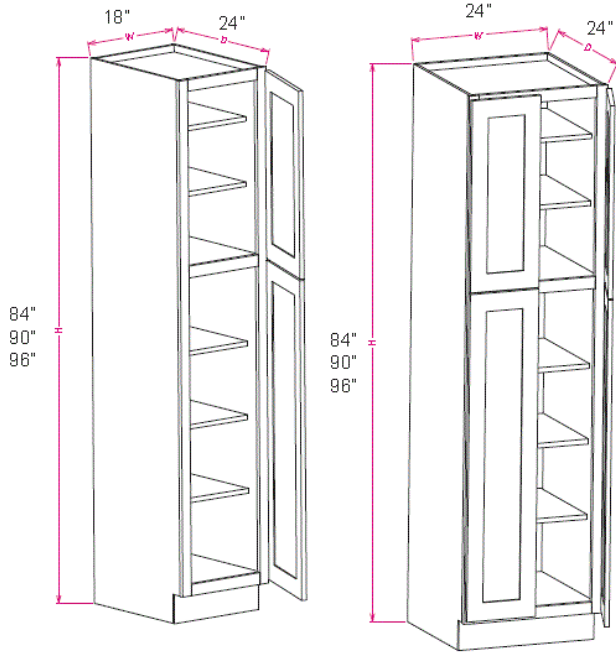
RS30
RS33
RS36

SKU	DRAWER BOX		
	W	H	D
RS18	13 3/8	3 3/8	20
RS21	16 3/8	3 3/8	20
RS24	19 1/2	3 3/8	20
RS27	22 1/2	3 3/8	20
RS30	25 3/8	3 3/8	20
RS33	28 3/8	3 3/8	20
RS36	31 3/8	3 3/8	20

*Full extension ball bearing glides
*Order by cabinet width

Tall Cabinets

Pantry



UC188424
UC189024
UC189624

CABINET BOX				UPPER DOOR				LC
W	H	D		W	H	D	QTY	W
18	84	24		17 1/2	29	3/4	1	17 1/2
18	90	24		17 1/2	35	3/4	1	17 1/2
18	96	24		17 1/2	41	3/4	1	17 1/2

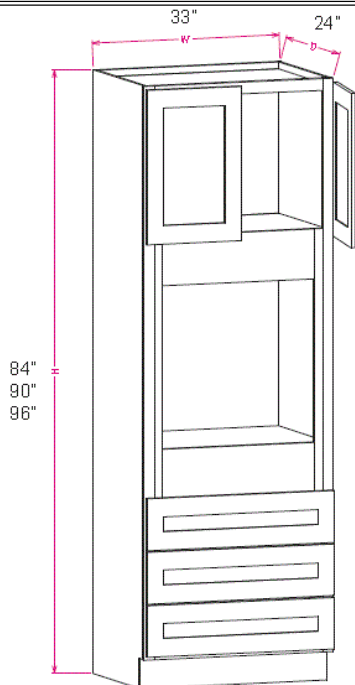
*All have 5 fixed adjustable shelves for top or both
*Bottom section is 50" tall.

UC248424
UC249024
UC249624

CABINET BOX			UPPER DOOR				LOW
W	H	D	W	H	D	QTY	W
24	84	24	11 3/4	29	3/4	2	11 3/4 49
24	90	24	11 3/4	35	3/4	2	11 3/4 49
24	96	24	11 3/4	41	3/4	2	11 3/4 49

Tall Cabinet

Oven



OC3384
OC3390
OC3396

CABINET BOX			TOP DOORS				DRAWER
W	H	D	W	H	D	QTY.	W
33	84	24	16 1/4	17	3/4	2	32 1/2
33	90	24	16 1/4	23	3/4	2	32 1/2
33	96	24	16 1/4	29	3/4	2	32 1/2

DRAWER BOXES				OPENING SIZE	
W	H	D	QTY.	W	H
29	5 1/8	20 3/8	3	26 1/2	24 3/8
29	5 1/8	20 3/8	3	26 1/2	24 3/8
29	5 1/8	20 3/8	3	26 1/2	24 3/8

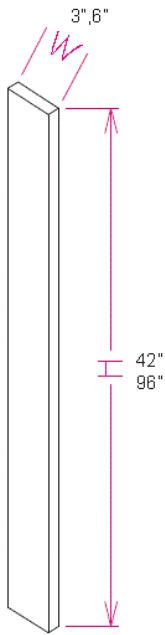
*Opening 26-1/2"W x 24-3/8"H
*For Dbl Oven remove drawers

Accessories

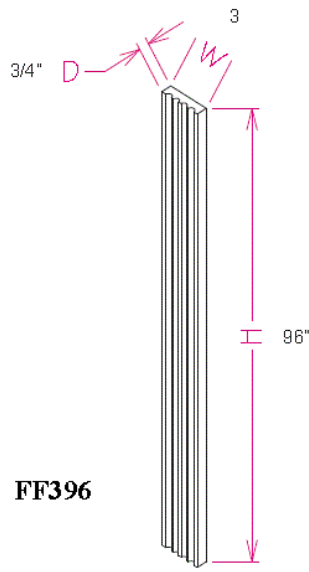
Fillers

Fillers & Toe Kick

**F342
F642
F396
F696**



FF396



F342
F642
F396
F696

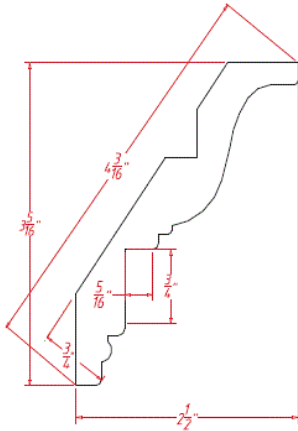
Filler - 3" x 42" x 3/4"T
Filler - 6" x 42" x 3/4"T
Filler - 3" x 96" x 3/4"T
Filler - 6" x 96" x 3/4"T

FF396

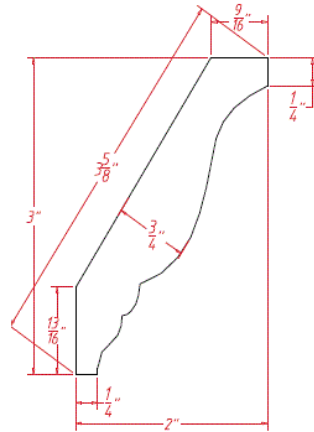
Fluted Filler - 3" x 96" x 3/4"T

Molding

Crown Molding



LCM



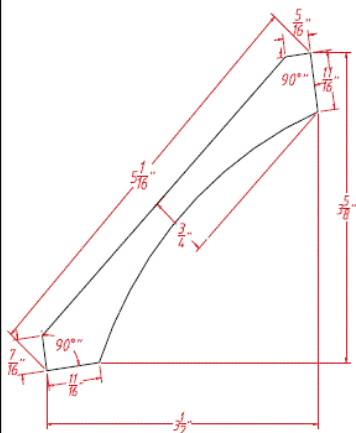
DCM

LCM

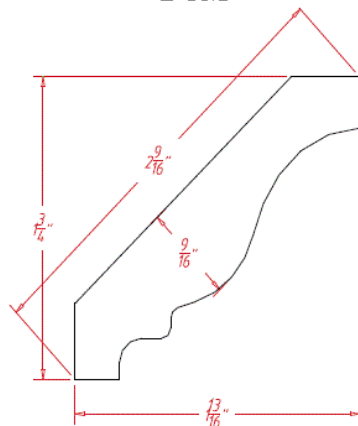
LCM Crown - 3-5/16"W x 96"L
(Accepts Rope & Dentil)

DCM

DCM Crown - 3"W x 96"L



COV



CM

COV

COV Crown - 5-1/16"W x 96"L

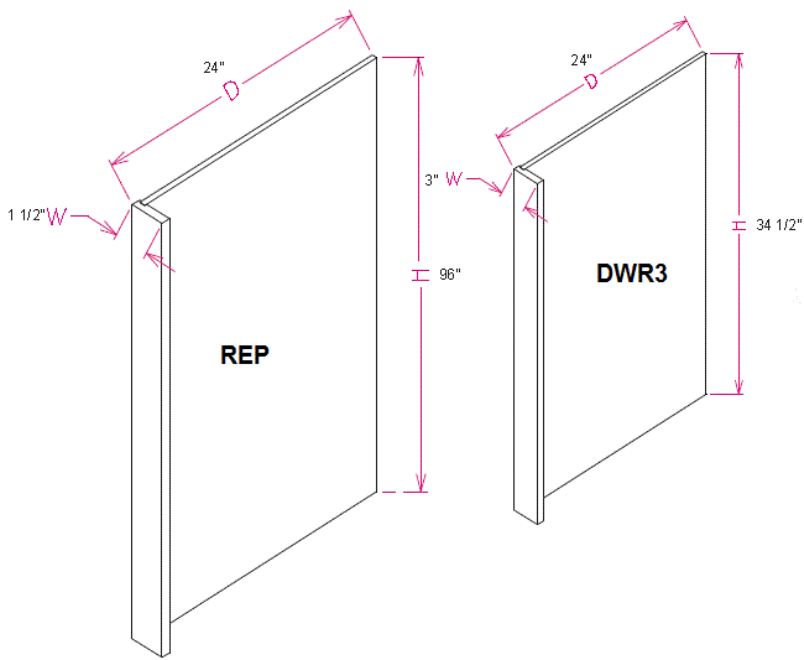
CM

CM Crown - 1-3/4"W x 96"L

Molding

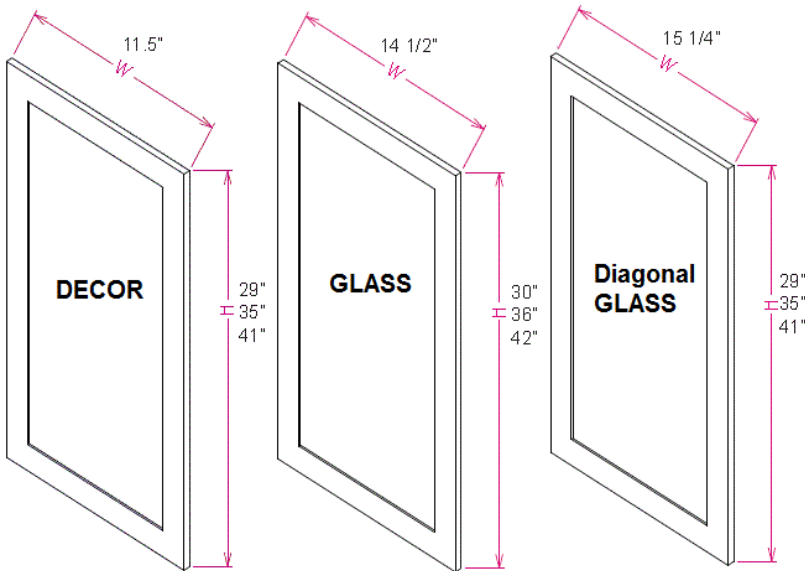
Molding

<p>FCM dimensions: Top width $9\frac{9}{16}$" (split into $3\frac{3}{4}$" and $3\frac{3}{8}$"), Total height $3\frac{3}{16}$" (split into $3\frac{3}{4}$" and $3\frac{3}{16}$").</p> <p>TKC dimensions: Total height 96", Bottom width $4\frac{1}{2}$".</p> <p>ROPE dimensions: Height $3\frac{3}{4}$", Spacing $3\frac{3}{8}$".</p> <p>SCR dimensions: Total height $3\frac{3}{16}$", Top width $3\frac{3}{4}$", Bottom width $4\frac{1}{2}$".</p> <p>BAM dimensions: Height $1\frac{1}{4}$", Width $3\frac{3}{4}$".</p> <p>OCM dimensions: Vertical height $3\frac{3}{4}$", Horizontal width $3\frac{3}{4}$".</p> <p>FBM dimensions: Total length $4\frac{15}{16}$", Height $3\frac{3}{4}$".</p>	<p>FCM</p> <p>TKC</p> <p>ROPE</p> <p>SCR</p> <p>OCM</p> <p>BAT</p> <p>FBM</p>	<p>Light Rail - $1\frac{9}{16}$" x $3\frac{3}{4}$" x 96"L</p> <p>Toe Kick - $1\frac{1}{4}$"T x $4\frac{1}{2}$"W x 96"L</p> <p>Rope - $3\frac{3}{4}$"W X $3\frac{3}{8}$"D x 96"L</p> <p>Scribe Molding - $3\frac{3}{4}$"W x $1\frac{1}{4}$"T x 96"L</p> <p>Outside Corner Molding - $3\frac{3}{4}$" x $3\frac{3}{4}$" x 96"</p> <p>Batten Molding - $3\frac{3}{4}$" x $1\frac{1}{4}$" x 96"L</p> <p>Furniture Base - $3\frac{3}{4}$"T x $4\frac{5}{16}$"H x 96"L</p>
<p>VA48 dimensions: Length 48", Height 6", Width W.</p>	<p>VA48</p>	<p>Arch Valance - 6" W x 48" L</p>
<p>Panels</p>		<p>Panels</p>
	<p>REP</p> <p>DWR3</p>	<p>Frig Panel - 24"W x 96"H x 3"</p> <p>Dishwasher Panel - 24"W x $34\frac{1}{2}$"H x 3"</p>



Decorative Doors

Glass and Decorative Door Panels



WDEP30
WDEP36
WDEP42

W1530GDFI
W1536GDFI
W1542GDFI
W2430GDFI
W2436GDFI
W2442GDFI

DC2430GDFI
DC2436GDFI
DC2442GDFI

Wall Door Panel - 11-1/2"W x 29"H
Wall Door Panel - 11-1/2"W x 35"H
Wall Door Panel - 11-1/2"W x 41"H

Glass Door - 14-1/2"W x 30"H
Glass Door - 14-1/2"W x 36"H
Glass Door - 14-1/2"W x 42"H
Glass Door - 14-1/2"W x 30"H
Glass Door - 14-1/2"W x 30"H
Glass Door - 14-1/2"W x 30"H

***24" Doors above are sold in pairs**

Diagonal Cnr Glass Door - 15-1/4"W x 29"H
Diagonal Cnr Glass Door - 15-1/4"W x 34"H
Diagonal Cnr Glass Door - 15-1/4"W x 41"H

Decorative Trim Pieces

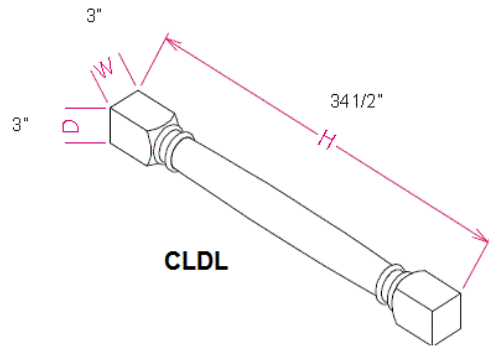
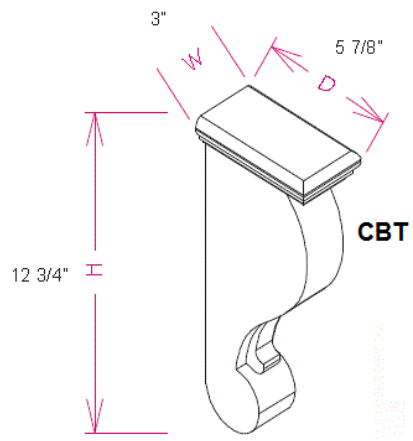
Trim

CBT

Corbel - 12-3/4"L x 3"W x 5"D

CLDL

Leg - 34-1/2"H x 3" x 3"



Storefront